

HOW TO PLAY

# Crazy Land!

THE RIDE OF YOUR LIFE!



**NTVIC**™  
NTV International Corporation



This official seal is your assurance that Nintendo has reviewed this product and that it has met our standards for excellence in workmanship, reliability and entertainment value. Always look for this seal when buying games and accessories to ensure complete compatibility with your Nintendo Entertainment System

This game is licensed  
by Nintendo for play on the



Nintendo and Nintendo Entertainment System are trademarks of Nintendo of America Inc.

## Compliance with Fcc Regulations

This equipment generates and uses radio frequency energy and if not installed and used properly, that is, in strict accordance with the manufacturer's instructions, may cause interference to radio and television reception. It has been type tested and found to comply with the limits for a Class B computing device in accordance with the specifications in Subpart J of Part 15 of FCC Rules, which are designed to provide reasonable protection against such interference in a residential installation. However, this is no guarantee that interference will not occur in a particular installation. If this equipment does cause interference to radio or television reception, which can be determined by turning the equipment off and on, the user is encouraged to try to correct the interference by one or more of the following measures:

- Reorient the receiving antenna
- Relocate the NES with respect to the receiver
- Move the NES away from the receiver
- Plug the NES into a different outlet so that the computer and receiver are on different circuits.

If necessary, the user should consult the dealer or an experienced radio or television technician for additional suggestions. The user may find the following booklet prepared by the Federal Communications Commission helpful. "How to Identify and Resolve Radio-TV Interference Problems." This booklet is available from the U.S. Government Printing Office, Washington, DC 20402, Stock No. 004-000-00345-4.

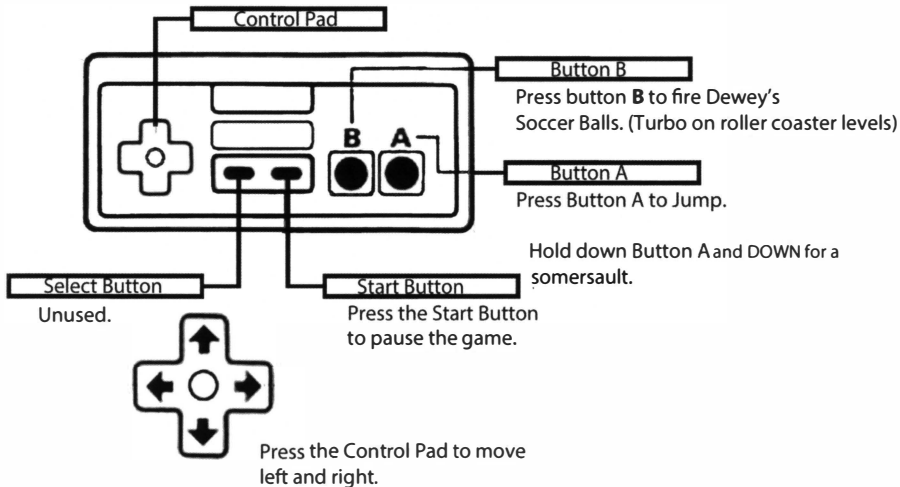
# The Story

**Dewey's girlfriend, "Dixie" is suddenly kidnaped! He chases her to the amusement park, "Crazyland" and enters the gate, but it's very strange! No one is there! A mysterious air surrounds "Crazyland" and Dewey knows something is very wrong! Help him by riding the rollercoaster and kicking the soccer ball to keep the enemies away!**

## Contents

The Story _____	1.
How to Control Dewey ___	2.
How to Start the Game ___	3.
Strategic Information ___	4.
Items _____	5.
Rollercoaster Levels _____	6.
Levels _____	7.
Bosses _____	8.

# How to Control Dewey



## *How to Start the Game*

Press Button **A** to select a New Game on the title screen.

Use the **Control Pad** to select Password and then press Button **A** to enter your Password onto the screen.

After you finish each stage, a Password will appear on the screen. When you want to start the game from midway, enter this password from your previous game with the **Control Pad**, press Button **A** to begin the game.

# Strategic Information

- Look before you jump! Enemies will usually jump right in your path!
- Fish can be tricky, try jumping and shooting.
- Knock-back causing a problem? Try facing the other way before getting hit.
- Collect easy lives in the roller coaster levels.
- Record passwords after each level.
- Sometimes taking a hit can increase your odds of survival.

## Passwords

### Level Passwords

Last Stage Password MZSX  
Level 10 QPGL  
Level 11 MZS  
Level 2 BLNK  
Level 3 MMC!  
Level 4 PHXY  
Level 5 GTRS  
Level 6 BCHK  
Level 7 HSVX  
Level 8 VZLJ  
Level 9 FMWS

### Passwords Extras

Ending Movie Part 1 DB!  
Ending Movie Part 2 DW \*  
Programmer Message Z!N\*  
Sound Test !MGB

### Enemy List

Clown  
Rabbit  
Gunner(3 shots)  
Gunner(1 shot)  
Juggler  
Ball Jumper  
Natives  
Mole  
Boomeranger  
Tree Frog  
Magician  
Hunter  
Jet Packer  
Floater  
Water Creatures  
Zombie  
Flying Bots  
Jack in the Box  
Vampire  
Ninja

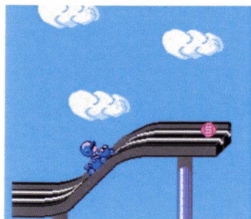
### Games Developed by KID:

Low G Man  
Isolated Warrior  
CrazyLand: Ride of Your Life  
Kick Master  
Recca: Summer Carnival  
G.I. Joe: Real American Hero  
Burai Fighter  
Banana Prince  
Rock 'n' Ball  
Dezaemon  
G.I. Joe: Atlantis Factor

# Items

<b>Clock</b>		Freezes all enemies and objects
<b>Bird</b>		Protects and seeks out enemies
<b>Bonus</b>		Adds points to total score
<b>Life Recovery</b>		Replenishes lost health by one
<b>Extra Life</b>		Adds an additional continue

## Roller Coaster Levels



The Roller Coaster levels of Crazy Land are a sight to behold. It is important that you pay attention to the **JUMP** icon which appears when the track ends and a bottomless pit opens up. make sure to steer clear of these and choose your path wisely, or else you could miss out on bonus items to aid you in your journey to save your girlfriend. And remember, You can ...  
**SOMERSAULT!**





# Levels

**Level Types**-CrazyLand: The Ride of Your Life consists of various levels that you must traverse in order to save your girlfriend. All the main attractions of an amusement park can be found in the game.

**Amusement Park**- Guide Dewey through Crazy Land Amusements. Take rickety trolleys, ride balls which take you to new highs, even hitch a ride on a cloud!

**Wild Safari**- Explore through the thick jungles of Africa while you avoid vicious local indigenous people.

**Roller Coaster**-Join Dewey for the main attraction! Heart-pounding Roller coaster action! Take Dewey on a ride through loops, climbs, and dips of a lifetime. You gonna need split second reaction time to survive!

**Horror House**- No amusement park is complete without its own house of horrors. Join Dewey through this creepy and challenging world.

## Bosses



**Indian Chief**- Watch out! The evil chief is out to level you out with his cannon balls!



**Mischievous Monkey**-He terrorizes you and throws deadly objects!



**Captain Skullbones**- Arrrg! Shiver-me-timbers! Captain Skullbones attacks you with his hook. You'll have to be very good to beat this tough foe!

# **NTV International Corp.**

## **90 DAY LIMITED WARRANTY**

NTVIC warrants to the original purchaser of this NTVIC product that the medium on which this computer program is recorded is free from defects in materials and workmanship for a period of ninety (90) days from the date of purchase. This NTVIC product is sold "as is", without expressed or implied warranty of any kind, and NTVIC is not liable for any losses or damage of any kind resulting from the use of this product. NTVIC agrees for a period of ninety (90) days of either repair or replace, at its option, free of charge, this NTVIC product when returned to NTVIC authorized dealer, with dated proof of purchase. This warranty shall not be applicable and shall be void if the defect in this NTVIC product has arisen through abuse, unreasonable use, mistreatment or neglect. THIS WARRANTY IS IN LIEU OF ALL OTHER WARRANTIES AND NO OTHER REPRESENTATIONS OR CLAIMS OF ANY NATURE SHALL BE BINDING ON OR OBLIGATE NTVIC. ANY IMPLIED WARRANTIES APPLICABLE TO THIS SOFTWARE PRODUCT, INCLUDING WARRANTIES OF MERCHANTABILITY AND FITNESS FOR A PARTICULAR PURPOSE, ARE LIMITED TO THE NINETY (90) DAY PERIOD DESCRIBED ABOVE, IN NO EVENT WILL NTVIC BE LIABLE FOR ANY SPECIAL, INCIDENTAL, OR CONSEQUENTIAL DAMAGES RESULTING FROM POSSESSION, USE, OR MALFUNCTION OF THIS NTVIC PRODUCT. Some states do not allow limitations as to how long an implied warranty lasts and/or exclusions of limitations of incidental or consequential damages, so the above limitations and/or exclusions of liability may not apply to you. This warranty gives you specific rights, and you may also have other rights which vary from state to state.

NTV International Corp. 50 Rockefeller Plaza, NY, NY 10020  
Tel: (212) 489-8412

Crazyland brings new excitement to the platforming genre with Rollercoaster heart pulsing action. This isnt your ordinary trip to the amusement park! Good luck!

## Safety Precautions

- Always make sure the power is off when inserting or removing the game pak from your computer.
- This is a high precision game pak. Avoid subjecting to extreme temperatures or shocks.
- Do not touch the terminal connectors or get them wet because this may damage the circuit.
- Use of thinners, solvents,benzene,alcohol, and other cleaning agents can damage the game pak.

**NTVIC**<sup>TM</sup>  
NTV International Corporation

Office: 50 Rockeller Plaza New York, New York 10020

Printed in U.S.A.